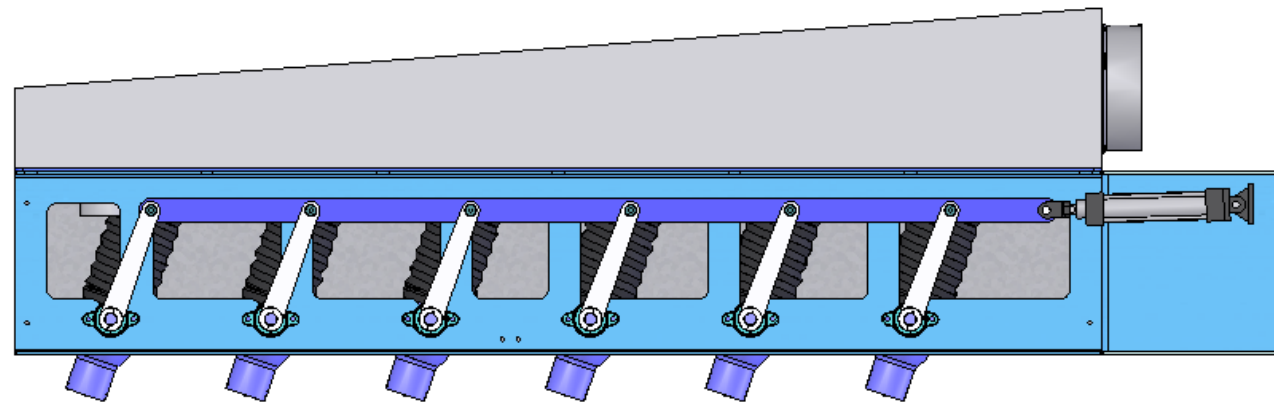
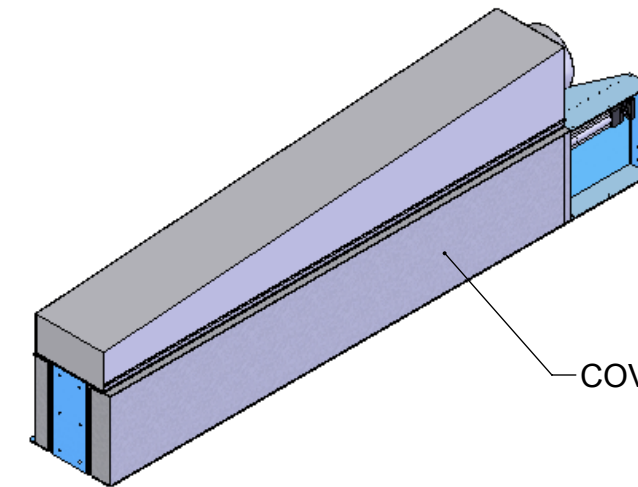
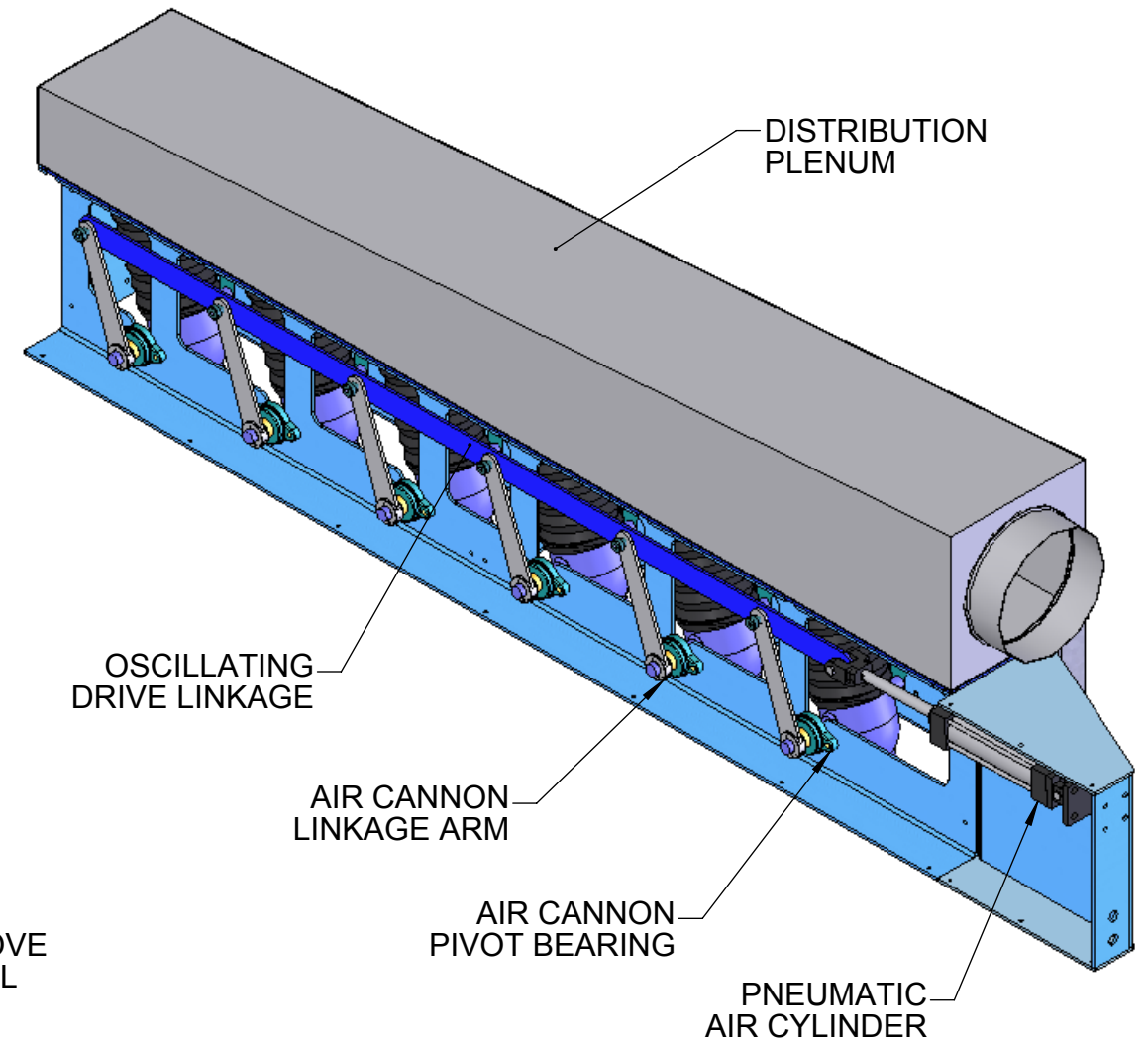


CYLINDER EXTENDED

AIR CANNONS MOVE 40° TOTAL TRAVEL



CYLINDER RETRACTED



NOTES:

QTY: 1 REQ'D

MATERIAL: GALVANIZED
 ALUMINIZED
 STAINLESS STEEL



Air Force 1 Blow Off Systems

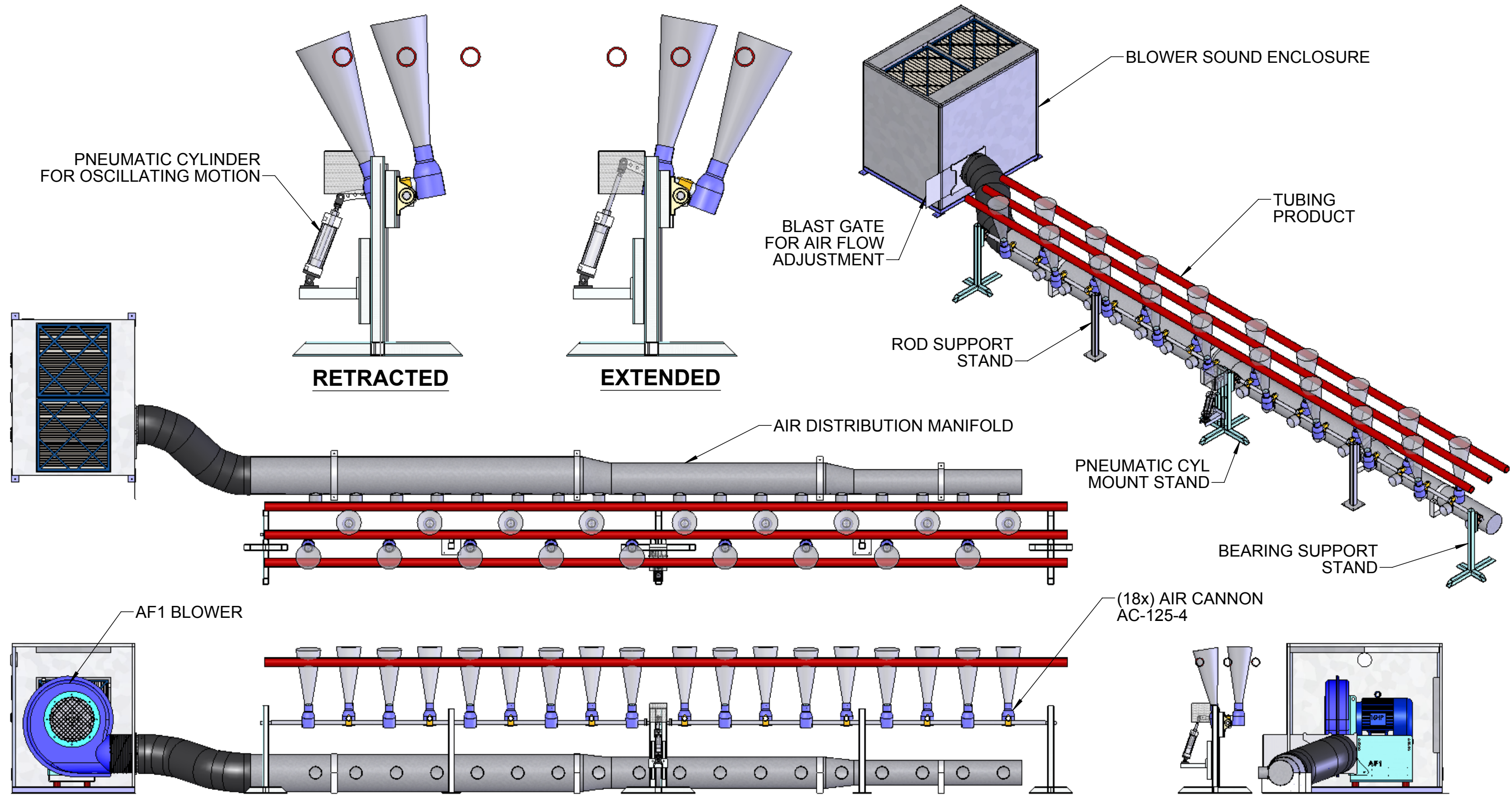
609 Colby Drive, Waterloo
 Ontario, N2V 1A1, Canada
 phone: (519) 746-5035
 www.af1.com

DRAWN BY: ChodW DATE: DD-JAN-10
 CHK BY: DATE:
 ENG. APPR: DATE:

UNLESS OTHERWISE SPECIFIED:
 DIMENSIONS ARE IN INCHES
 TOLERANCES:
 FRACTIONAL ± 1/8"
 ANGULAR MACH ± .5 BEND ± .01
 TWO PLACE DECIMAL ± .01
 THREE PLACE DECIMAL ± .001
 FOUR PLACE DECIMAL ± .0005
 INTERPRET GEOMETRIC
 TOLERANCING PER: ASME Y14.5M-1994
 PROPRIETARY AND CONFIDENTIAL
 THE INFORMATION CONTAINED IN THIS DRAWING IS
 THE SOLE PROPERTY OF AIR FORCE 1 BLOW OFF
 SYSTEMS. ANY REPRODUCTION IN WHOLE OR IN
 PART WITHOUT THE WRITTEN PERMISSION OF AIR
 FORCE 1 BLOW OFF SYSTEMS IS PROHIBITED.

No.	REVISION	DATE	BY
CAD FILE NAME: XX-XXXXX-XXX SIZE: B SIZE			

DRAWING TITLE: OSCILLATING AIR CANNON SYSTEM (6x) AC-125-4 WITH 40° RANGE	
CUSTOMER: AF1	
SCALE: 1:12	DWG NO: XX-XXXXX-XXX
SHEET 1 OF 1	
REV: 0	



NOTES:

QTY: 1 REQ'D

MATERIAL: GALVANIZED



Air Force 1 Blow Off Systems

609 Colby Drive, Waterloo
Ontario, N2V 1A1, Canada
phone: (519) 746-5035
www.af1.com

DRAWN BY: CEW DATE: DD-MAR-09
CHK BY: DATE:
ENG. APPR: DATE:

UNLESS OTHERWISE SPECIFIED:
DIMENSIONS ARE IN INCHES
TOLERANCES:
FRACTIONAL ± 1/8"
ANGULAR MACH ± .5 BEND ± .01
TWO PLACE DECIMAL ± .01
THREE PLACE DECIMAL ± .001
FOUR PLACE DECIMAL ± .0005
INTERPRET GEOMETRIC
TOLERANCING PER: ASME Y14.5M-1994
PROPRIETARY AND CONFIDENTIAL
THE INFORMATION CONTAINED IN THIS DRAWING IS
THE SOLE PROPERTY OF AIR FORCE 1 BLOW OFF
SYSTEMS. ANY REPRODUCTION IN WHOLE OR IN
PART WITHOUT THE WRITTEN PERMISSION OF AIR
FORCE 1 BLOW OFF SYSTEMS IS PROHIBITED.

No.	REVISION	DATE	BY
CAD FILE NAME: 09-22815-001			
SIZE: B SIZE			

DRAWING TITLE: STEEL MANDREL OSCILLATING AIR CANNON COOLDOWN BLOWOFF SYSTEM	
CUSTOMER: AF1	
SCALE: 1:32	DWG NO: 09-22815-001
SHEET 1 OF 1	
REV: 0	