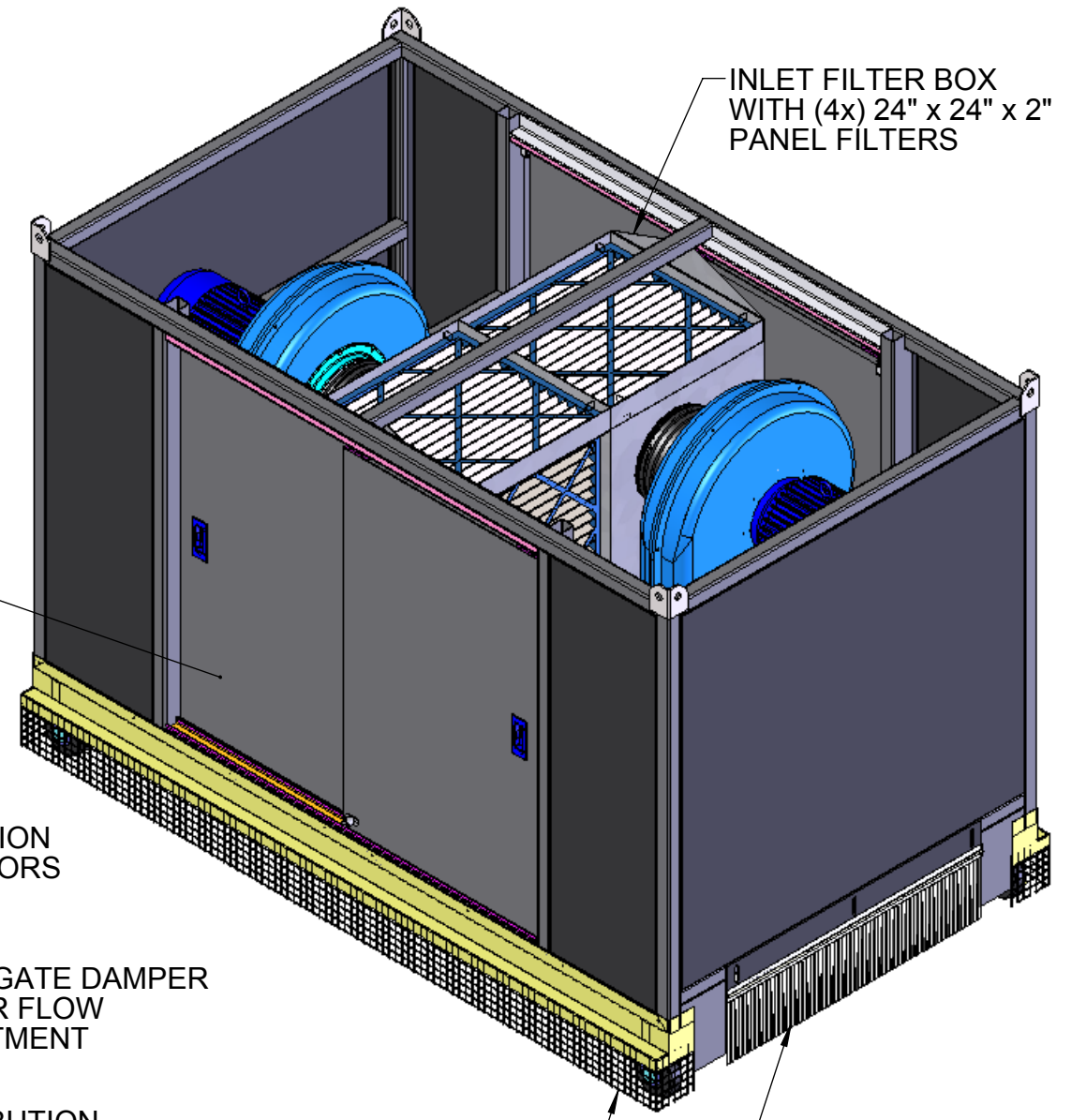


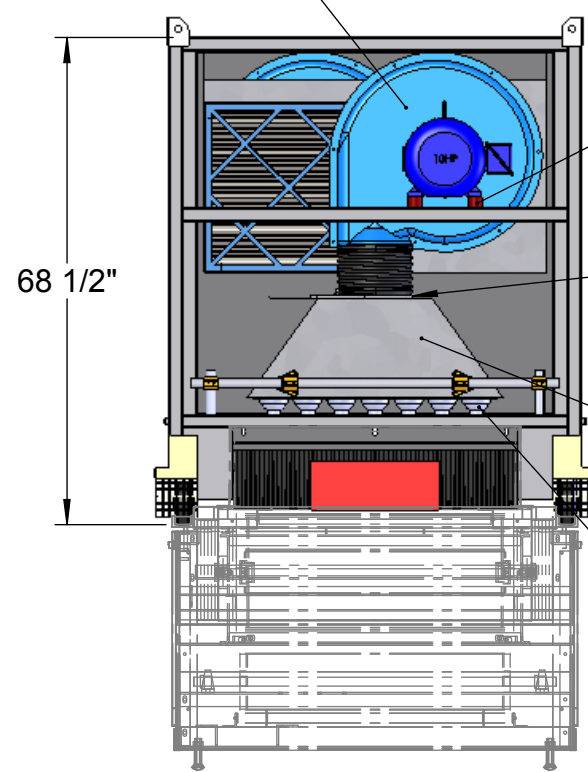
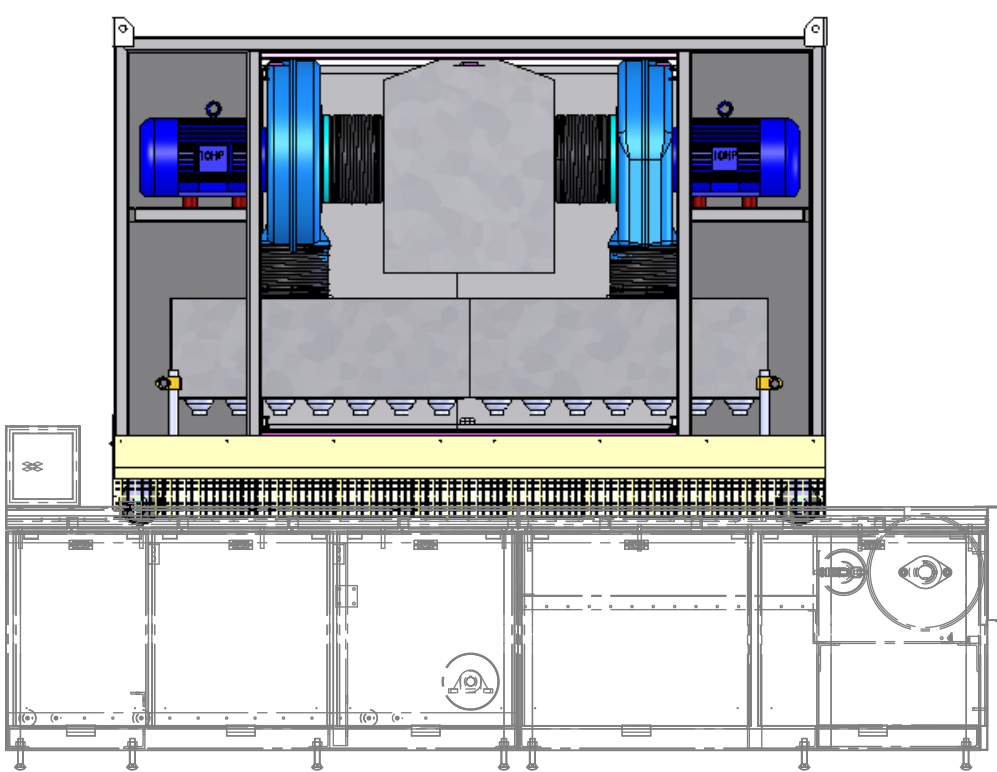
BOTTOM VIEW



(2x) AIR FORCE 1 BLOWER ASSEMBLY

SLIDING ACCESS DOORS

INLET FILTER BOX WITH (4x) 24" x 24" x 2" PANEL FILTERS



VIBRATION ISOLATORS

BLAST GATE DAMPER FOR AIR FLOW ADJUSTMENT

DISTRIBUTION PLENUM

(50x) LOW PROFILE AIR NOZZLE

CASTER GUARDING

DEBRIS CONTAINMENT CURTAINS

NOTES:

QTY: 1 REQ'D

MATERIAL: SATIN COAT
FINISH: PAINTED BLACK



Air Force 1 Blow Off Systems

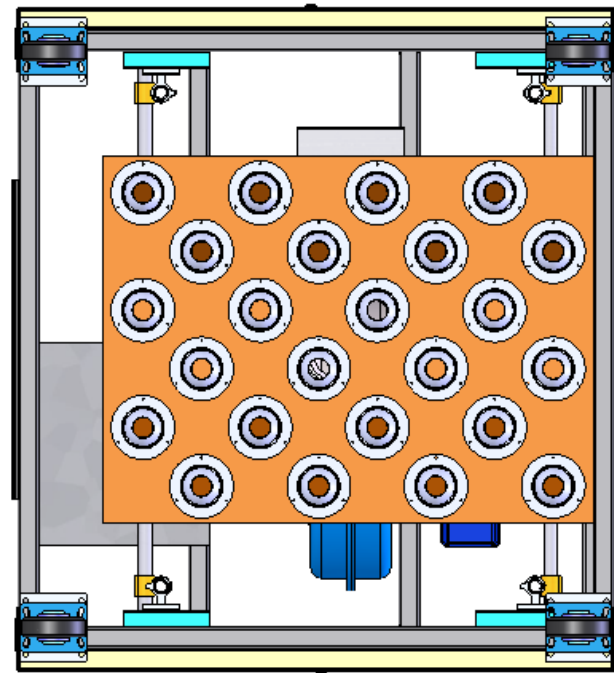
609 Colby Drive, Waterloo
Ontario, N2V 1A1, Canada
phone: (519) 746-5035
www.af1.com

DRAWN BY: CEW DATE: 2-FEB-11
CHK BY: DATE:
ENG. APPR: DATE:

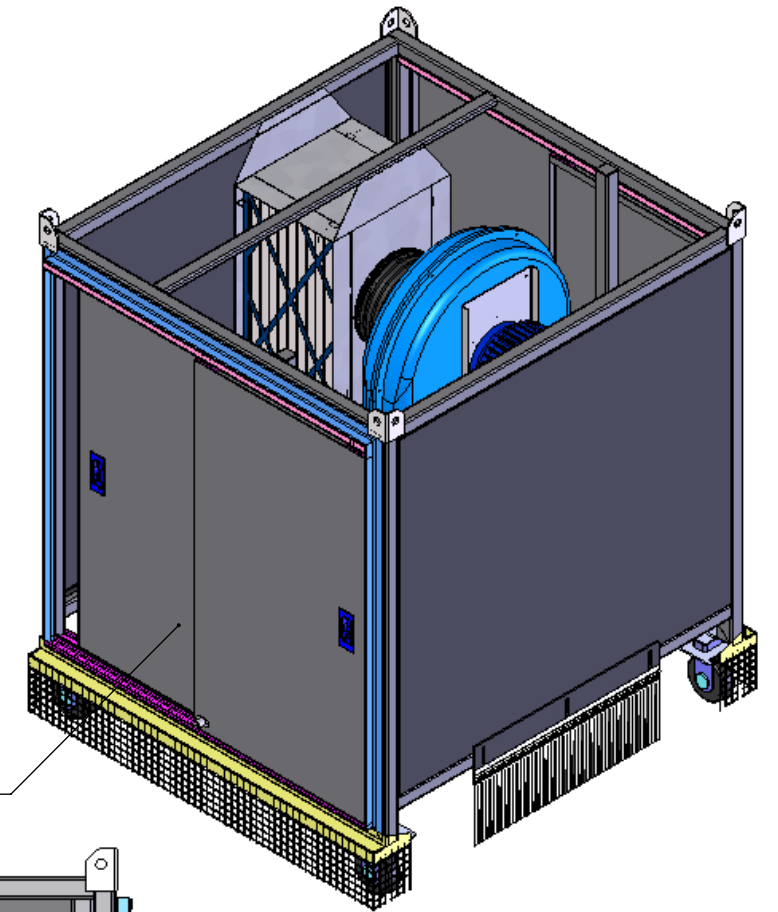
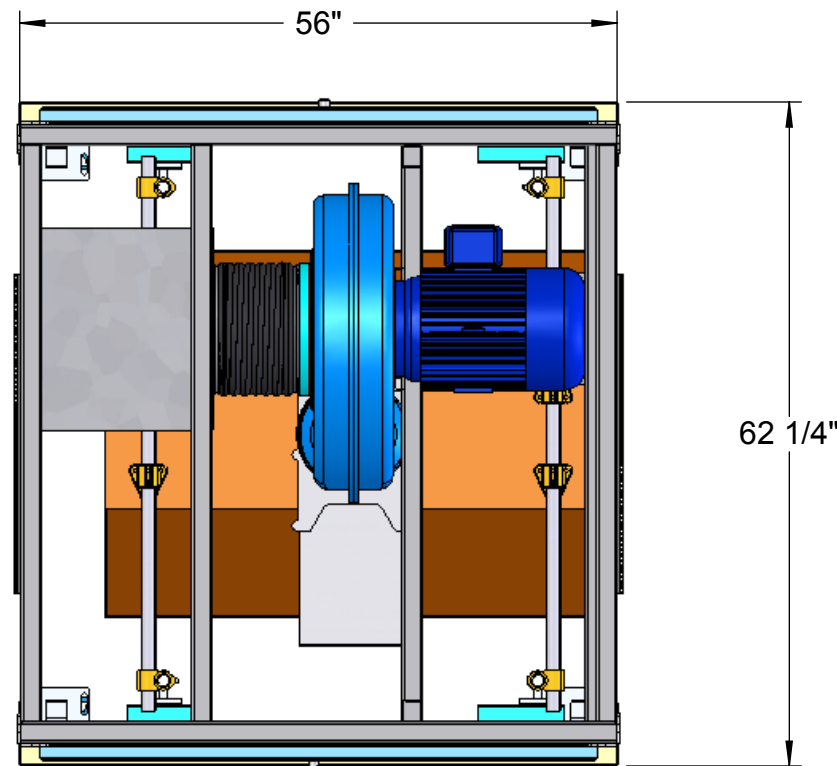
UNLESS OTHERWISE SPECIFIED:
DIMENSIONS ARE IN INCHES
TOLERANCES:
FRACTIONAL ± 1/8"
ANGULAR MACH ± .5 BEND ± .01
TWO PLACE DECIMAL ± .01
THREE PLACE DECIMAL ± .001
FOUR PLACE DECIMAL ± .0005
INTERPRET GEOMETRIC
TOLERANCING PER: ASME Y14.5M-1994
PROPRIETARY AND CONFIDENTIAL
THE INFORMATION CONTAINED IN THIS DRAWING IS
THE SOLE PROPERTY OF AIR FORCE 1 BLOW OFF
SYSTEMS. ANY REPRODUCTION IN WHOLE OR IN
PART WITHOUT THE WRITTEN PERMISSION OF AIR
FORCE 1 BLOW OFF SYSTEMS IS PROHIBITED.

No.	REVISION	DATE	BY
CAD FILE NAME: 10-27765-001 SIZE: B SIZE			

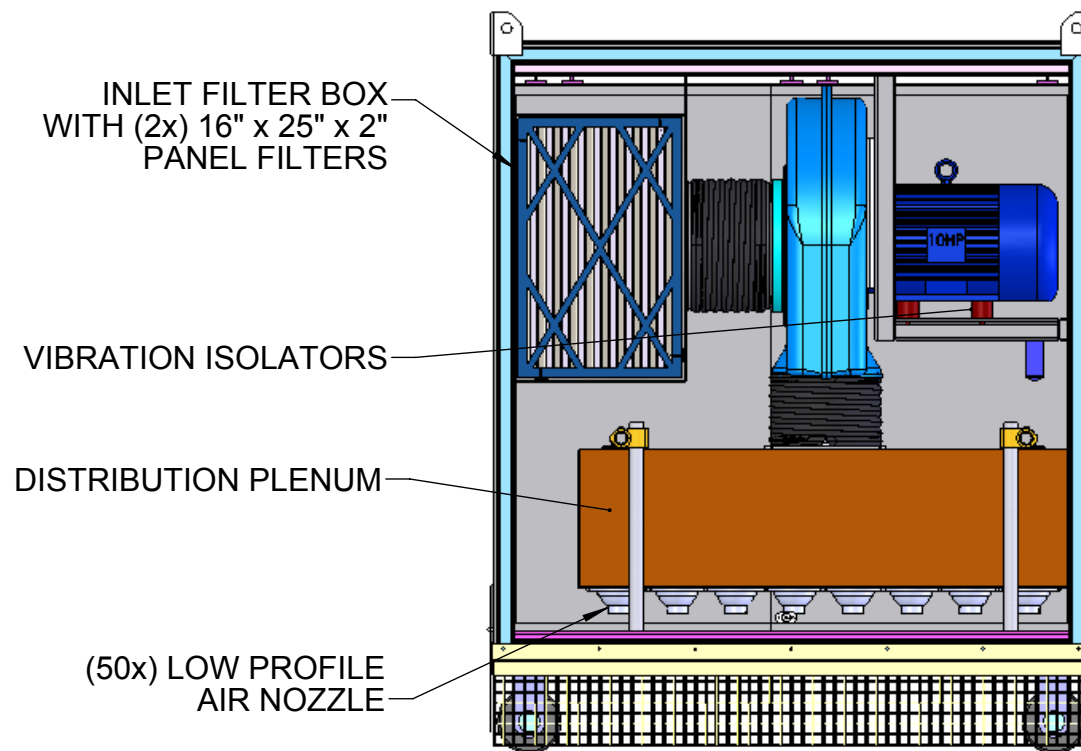
DRAWING TITLE: MODULAR COOL DOWN STATION (50x) LOW PROFILE AIR NOZZLES	
CUSTOMER: AF1	
SCALE: 1:27	DWG NO: 10-27765-001
SHEET 1 OF 1	
REV: 0	



BOTTOM VIEW



SLIDING ACCESS DOORS

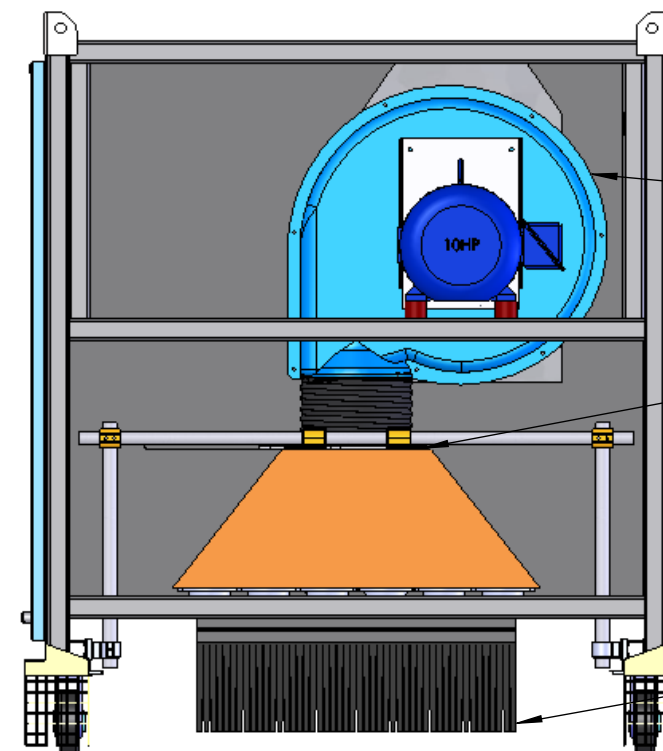


INLET FILTER BOX WITH (2x) 16" x 25" x 2" PANEL FILTERS

VIBRATION ISOLATORS

DISTRIBUTION PLENUM

(50x) LOW PROFILE AIR NOZZLE



AIR FORCE 1 BLOWER ASSEMBLY

BLAST GATE DAMPER FOR AIR FLOW ADJUSTMENT

CASTER GUARDING

DEBRIS CONTAINMENT CURTAINS

NOTES:

QTY: 1 REQ'D

MATERIAL: GALVANIZED



Air Force 1 Blow Off Systems

609 Colby Drive, Waterloo
Ontario, N2V 1A1, Canada
phone: (519) 746-5035
www.af1.com

DRAWN BY: CEW DATE: DD-MAR-09
CHK BY: DATE:
ENG. APPR: DATE:

UNLESS OTHERWISE SPECIFIED:
DIMENSIONS ARE IN INCHES
TOLERANCES:
FRACTIONAL ± 1/8"
ANGULAR MACH ± .5 BEND ± .01
TWO PLACE DECIMAL ± .01
THREE PLACE DECIMAL ± .001
FOUR PLACE DECIMAL ± .0005
INTERPRET GEOMETRIC
TOLERANCING PER: ASME Y14.5M-1994
PROPRIETARY AND CONFIDENTIAL
THE INFORMATION CONTAINED IN THIS DRAWING IS
THE SOLE PROPERTY OF AIR FORCE 1 BLOW OFF
SYSTEMS. ANY REPRODUCTION IN WHOLE OR IN
PART WITHOUT THE WRITTEN PERMISSION OF AIR
FORCE 1 BLOW OFF SYSTEMS IS PROHIBITED.

No.	REVISION	DATE	BY
CAD FILE NAME: XX-XXXXX-XXX SIZE: B SIZE			

DRAWING TITLE: MODULAR COOL DOWN STATION (24x) LOW PROFILE AIR NOZZLES	
CUSTOMER: AF1	
SCALE: 1:18	DWG NO: XX-XXXXX-XXX
SHEET 1 OF 1	
REV: 0	