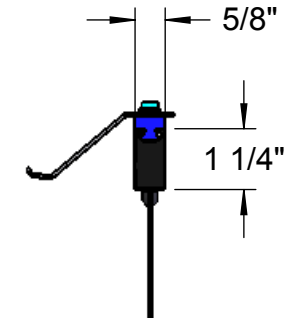
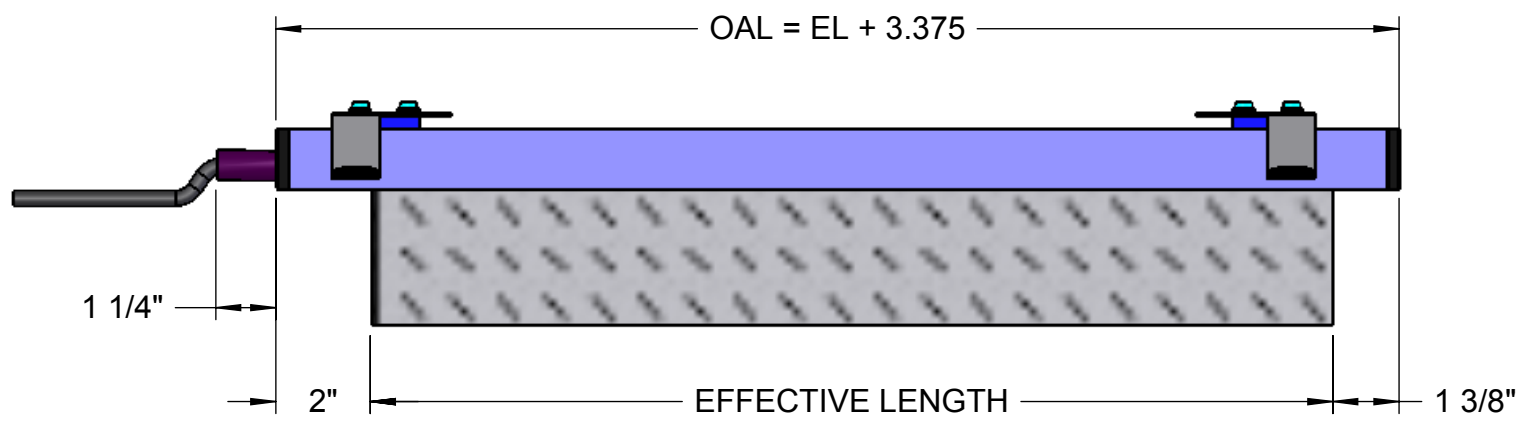
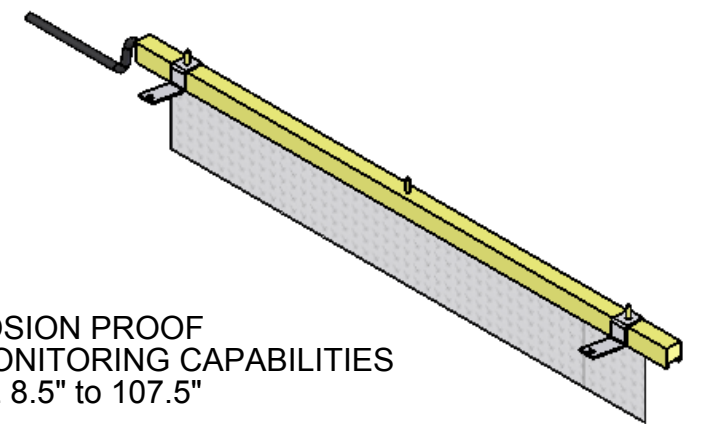


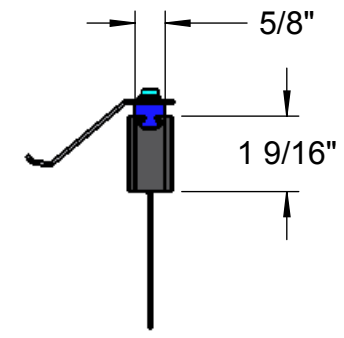
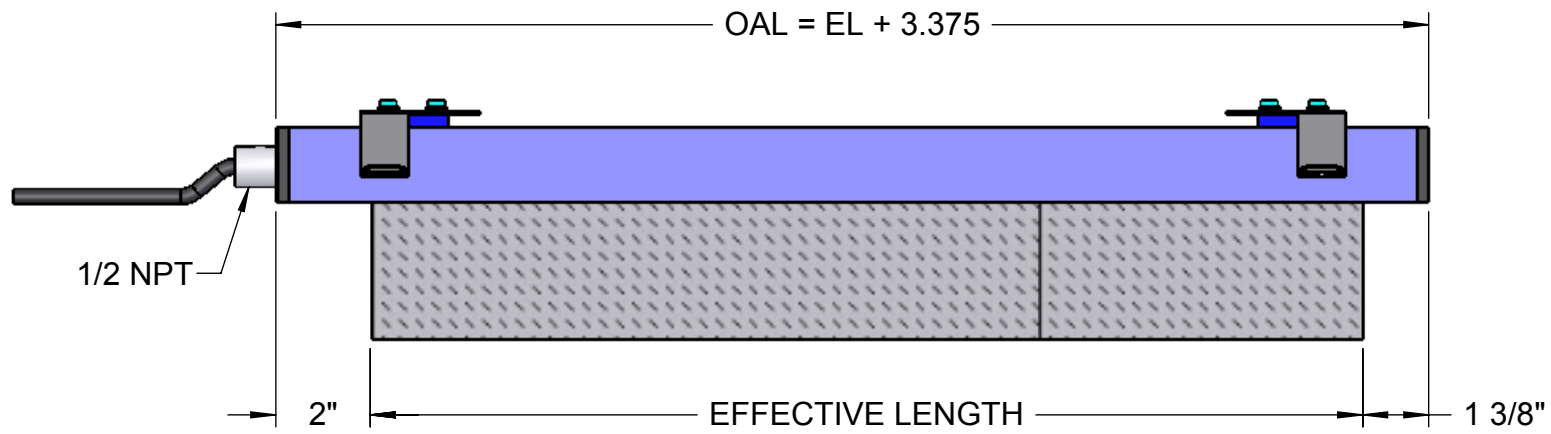
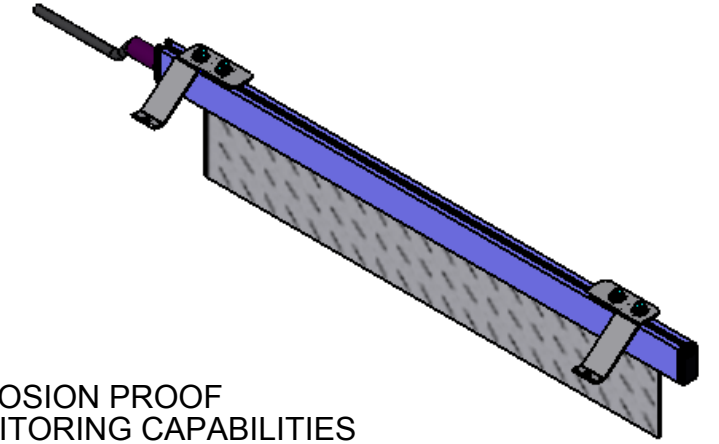
MEB BAR

- NON-EXPLOSION PROOF
- WITH NO MONITORING CAPABILITIES
- OAL RANGE 8.5" to 107.5"



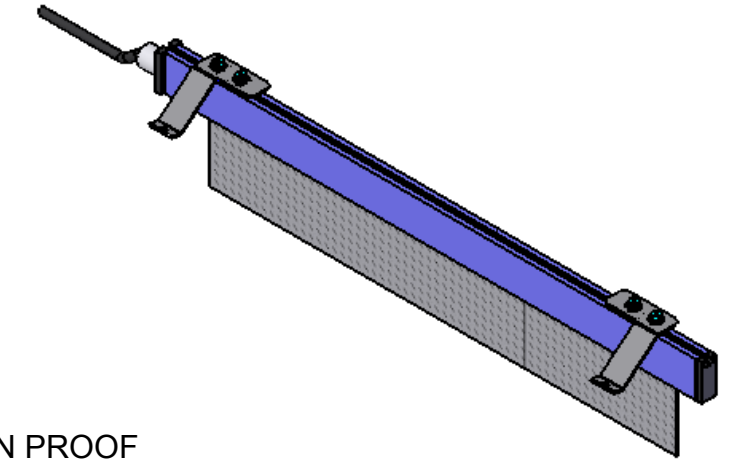
R50 BLUE BAR

- NON-EXPLOSION PROOF
- WITH MONITORING CAPABILITIES
- OAL RANGE 8.7" to 156.9"

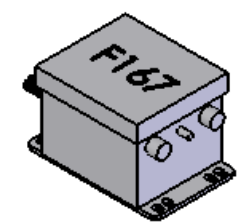


BLUE BAR HL

- EXPLOSION PROOF
- WITH MONITORING CAPABILITIES
- OAL RANGE 9.84" to 156.89"



NOTE: POWER SUPPLIES REQUIRED AND PROVIDED FOR ALL STATIC CONTROL BAR APPLICATIONS



Air Force 1 Blow Off Systems
 609 Colby Drive, Waterloo
 Ontario, N2V 1A1, Canada
 phone: (519) 746-5035
 www.af1.com

DRAWN BY: CEW DATE: 16-SEP-08
 CHK BY: DATE:
 ENG. APPR: DATE:
 UNLESS OTHERWISE SPECIFIED:
 DIMENSIONS ARE IN INCHES
 TOLERANCES:
 FRACTIONAL ± 1/8"
 ANGULAR MACH ± .5 BEND ± .01
 TWO PLACE DECIMAL ± .01
 THREE PLACE DECIMAL ± .001
 FOUR PLACE DECIMAL ± .0005
 INTERPRET GEOMETRIC
 TOLERANCING PER: ASME Y14.5M-1994
 PROPRIETARY AND CONFIDENTIAL
 THE INFORMATION CONTAINED IN THIS DRAWING IS
 THE SOLE PROPERTY OF AIR FORCE 1 BLOW OFF
 SYSTEMS. ANY REPRODUCTION IN WHOLE OR IN
 PART WITHOUT THE WRITTEN PERMISSION OF AIR
 FORCE 1 BLOW OFF SYSTEMS IS PROHIBITED.

No.	REVISION	DATE	BY

CAD FILE NAME: **STATIC BARS** SIZE: **B SIZE**

DRAWING TITLE: STATIC CONTROL BARS		REV: 0
CUSTOMER: AF1		
SCALE: 1:4	STATIC BARS	
SHEET 1 OF 1		