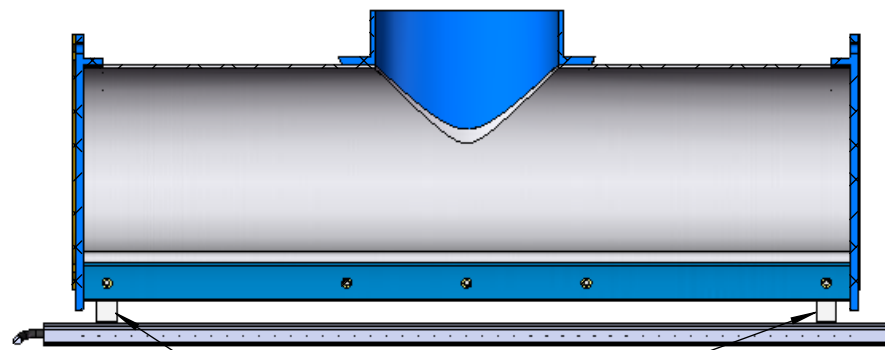
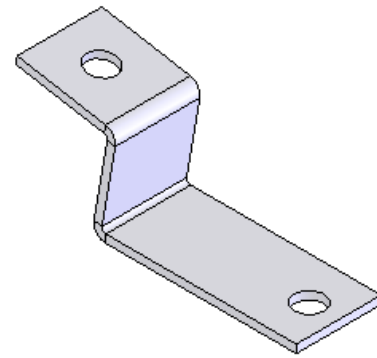
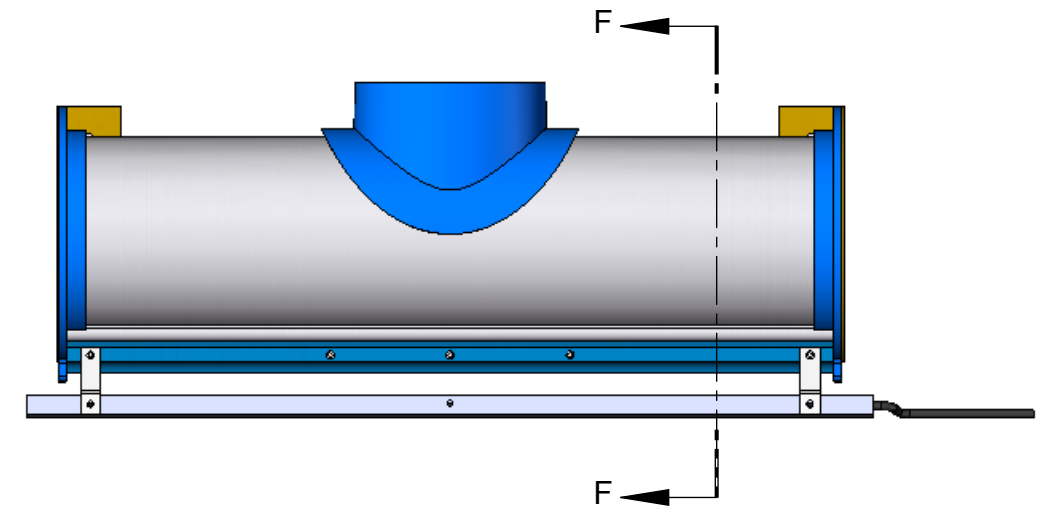
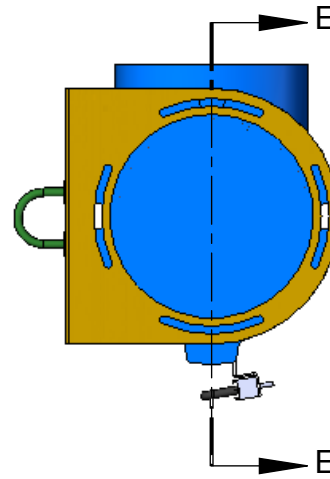


# CF AIR KNIFE w/ EXTERNAL MEB STATIC BAR

SECTION E-E

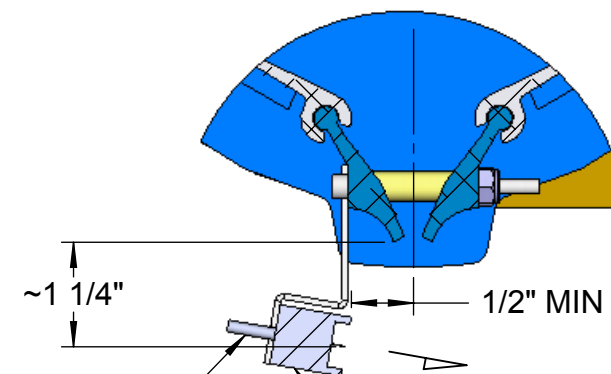


EXTERNAL MOUNT BRACKET



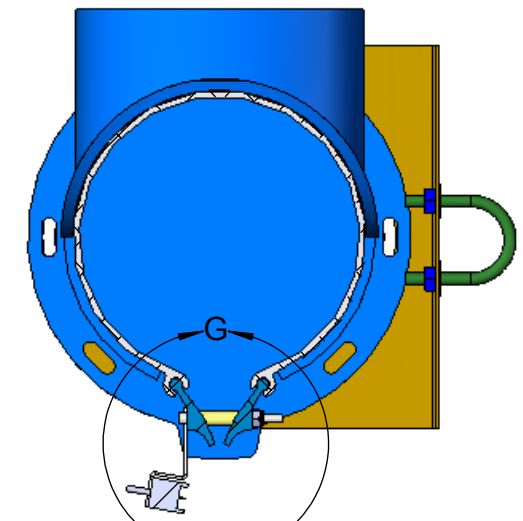
MEB EXTERNAL MOUNT BRACKET

DETAIL G  
SCALE 1 : 2

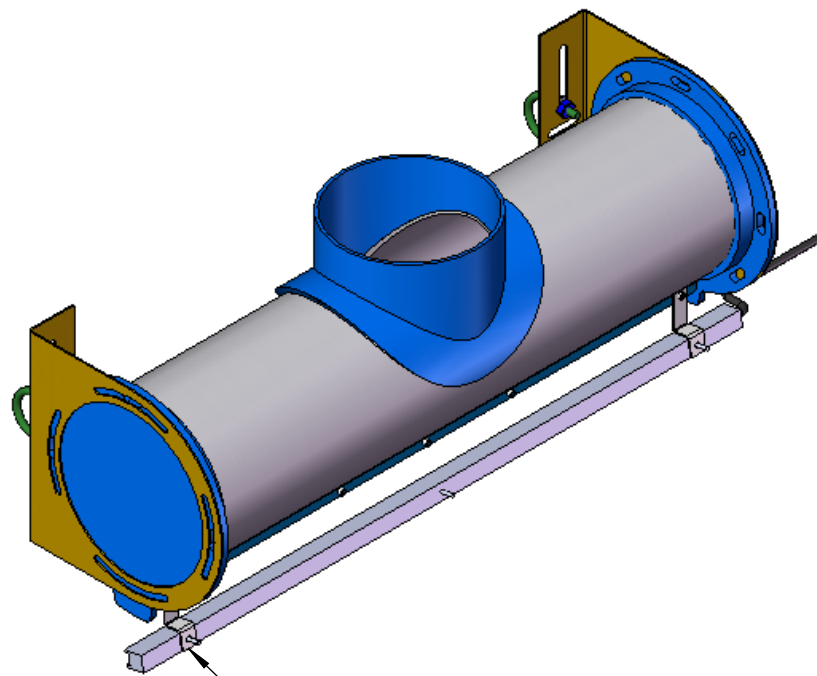


#6-32 MOUNT STUD


NOTE DIRECTION OF STATIC BAR



SECTION F-F  
SCALE 1 : 4

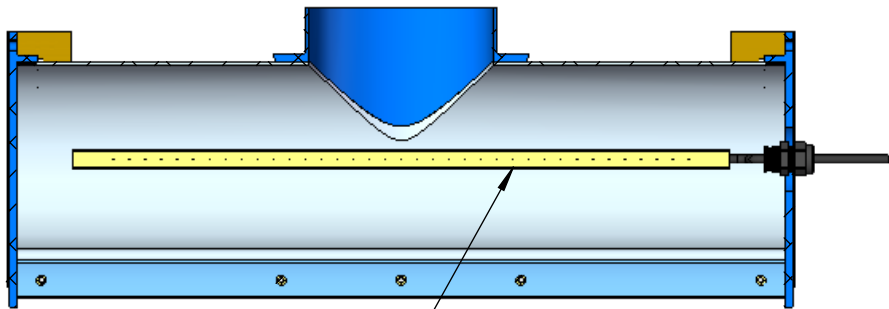


MEB STATIC BAR EXTERNAL MOUNT

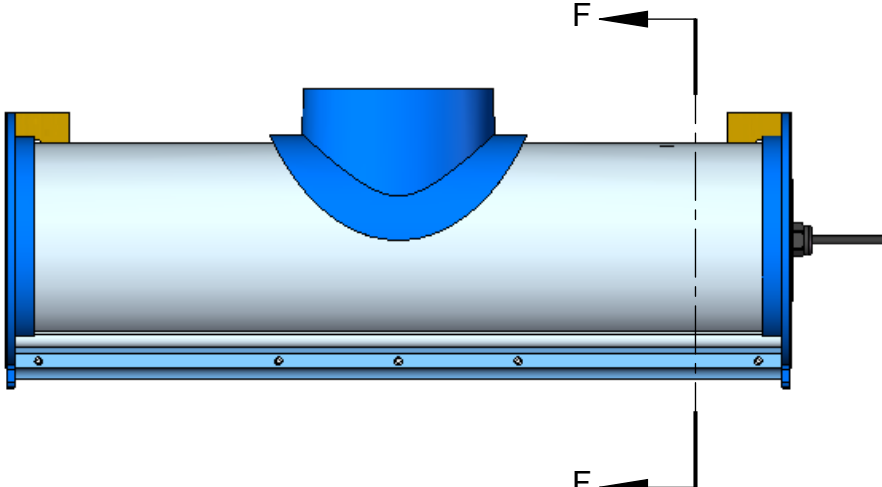
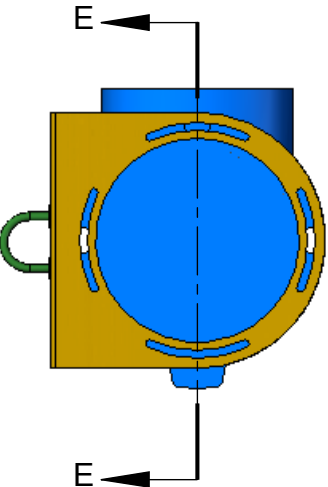
 <p><b>Air Force 1 Blow Off Systems</b> 609 Colby Drive, Waterloo Ontario, N2V 1A1, Canada phone: (519) 746-5035 www.af1.com</p>	DRAWN BY: CEW    DATE: 11-AUG-08 CHK BY:            DATE: ENG. APPR:        DATE:	DRAWING TITLE: <b>STATIC BAR MOUNTING EXTERNAL MEB BAR</b>			
	UNLESS OTHERWISE SPECIFIED: DIMENSIONS ARE IN INCHES TOLERANCES: FRACTIONAL ± 1/8" ANGULAR MACH ± .5 BEND ± .01 TWO PLACE DECIMAL ± .01 THREE PLACE DECIMAL ± .001 FOUR PLACE DECIMAL ± .0005 INTERPRET GEOMETRIC TOLERANCING PER: ASME Y14.5M-1994	CUSTOMER: <b>AF1</b>			
	PROPRIETARY AND CONFIDENTIAL THE INFORMATION CONTAINED IN THIS DRAWING IS THE SOLE PROPERTY OF AIR FORCE 1 BLOW OFF SYSTEMS. ANY REPRODUCTION IN WHOLE OR IN PART WITHOUT THE WRITTEN PERMISSION OF AIR FORCE 1 BLOW OFF SYSTEMS IS PROHIBITED.	No.                      REVISION                      DATE                      BY	SCALE: 1:6		REV: <b>0</b>
	CAD FILE NAME: <b>MEB MOUNTING</b> SIZE: <b>B SIZE</b>		SHEET 1 OF 1		

# CF AIR KNIFE w/ INTERNAL MEB STATIC BAR

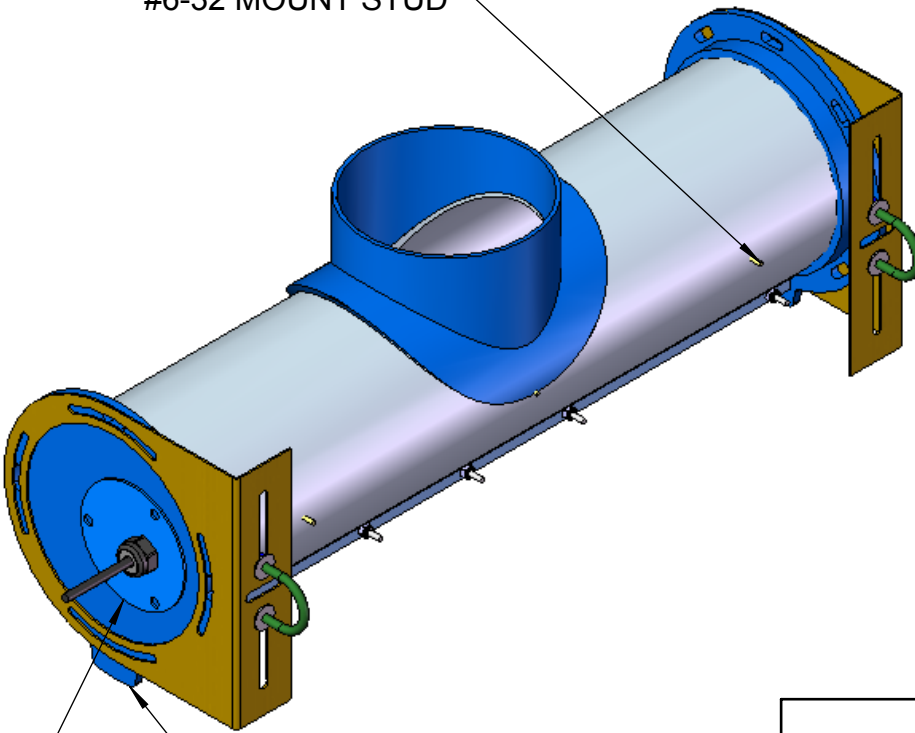
SECTION E-E



MEB STATIC BAR  
INTERNAL MOUNT



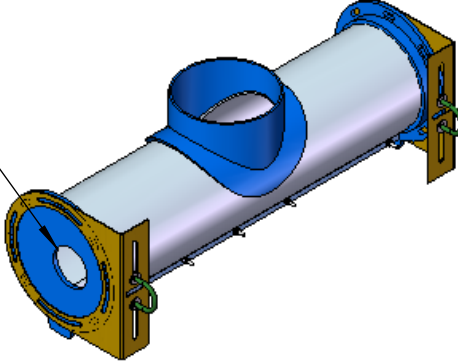
#6-32 MOUNT STUD



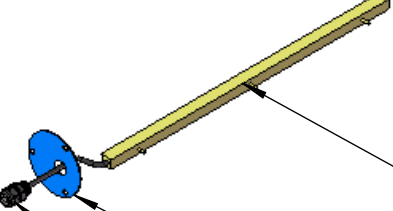
END FEED CAP

END FEED CAP COVER  
REMOVE TO ACCESS  
STATIC BAR

CUTOUT IN END CAP  
FOR CABLE ACCESS

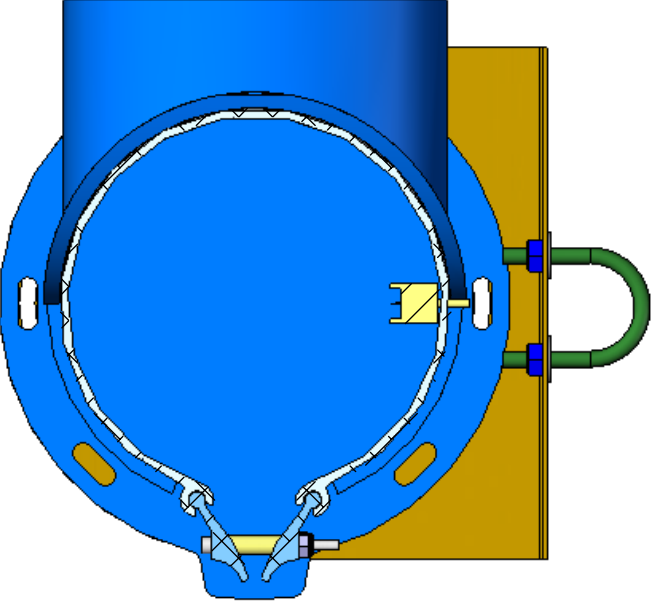


SLIDE OUT HL STATIC BAR FROM  
INTERNAL T-BAR MOUNT BRACKET



REMOVE END FEED CAP COVER

REMOVE CABLE CONDUIT FITTING



SECTION F-F  
SCALE 1 : 3

**Air Force 1 Blow Off Systems**  
609 Colby Drive, Waterloo  
Ontario, N2V 1A1, Canada  
phone: (519) 746-5035  
www.af1.com

DRAWN BY: CEW	DATE: 11-AUG-08
CHK BY:	DATE:
ENG. APPR:	DATE:
UNLESS OTHERWISE SPECIFIED: DIMENSIONS ARE IN INCHES TOLERANCES: FRACTIONAL: ± 1/8" ANGULAR: MACH ± .5 BEND ± .01 TWO PLACE DECIMAL: ± .01 THREE PLACE DECIMAL: ± .001 FOUR PLACE DECIMAL: ± .0005 INTERPRET GEOMETRIC TOLERANCING PER: ASME Y14.5M-1994 PROPRIETARY AND CONFIDENTIAL THE INFORMATION CONTAINED IN THIS DRAWING IS THE SOLE PROPERTY OF AIR FORCE 1 BLOW OFF SYSTEMS. ANY REPRODUCTION IN WHOLE OR IN PART WITHOUT THE WRITTEN PERMISSION OF AIR FORCE 1 BLOW OFF SYSTEMS IS PROHIBITED.	

No.	REVISION	DATE	BY

CAD FILE NAME: **MEB MOUNTING** SIZE: **B SIZE**

DRAWING TITLE: <b>STATIC BAR MOUNTING INTERNAL MEB BLUE BAR</b>	
CUSTOMER: <b>AF1</b>	
SCALE: 1:6	REV: <b>0</b>
SHEET 1 OF 1	